

BROADBAND DIRECTIONAL ANTENNA

698-960 / 1710-2700 MHz

BDA-YDA763869-9-1

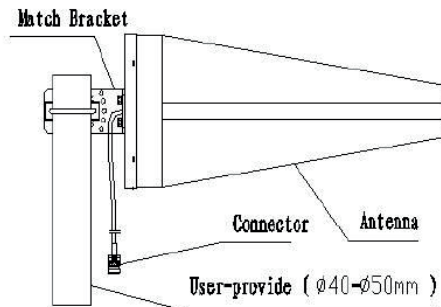
Product Features

- Broadband, Low VSWR
- Sealed with radome, strong protection
- Supplied with mast down-tilt bracket



Specifications	Value	
Freq.Range	698 to 960 MHz	1710 to 2700 MHz
VSWR	698~806MHz ≤2.0	
	806~960/1710~2500MHz ≤1.5	
	2500~2700MHz ≤2.0	
Beamwidth	55	50
	75±12	65±12
F/B Ratio	≥16 dB	≥18 dB
Gain	9.5±1 dBi	10±1 dBi
Impedance	Ω 50	
Polarization	Vertical	
Maximum Power	50 W	
Connector	N type or customized	
Dimensions	442×205×65 mm	
Weight	1 Kg	
Mast Diameter	φ40-φ50 mm	

Installation Sketch



DOC HON62099.00 - 11122020 - DMC